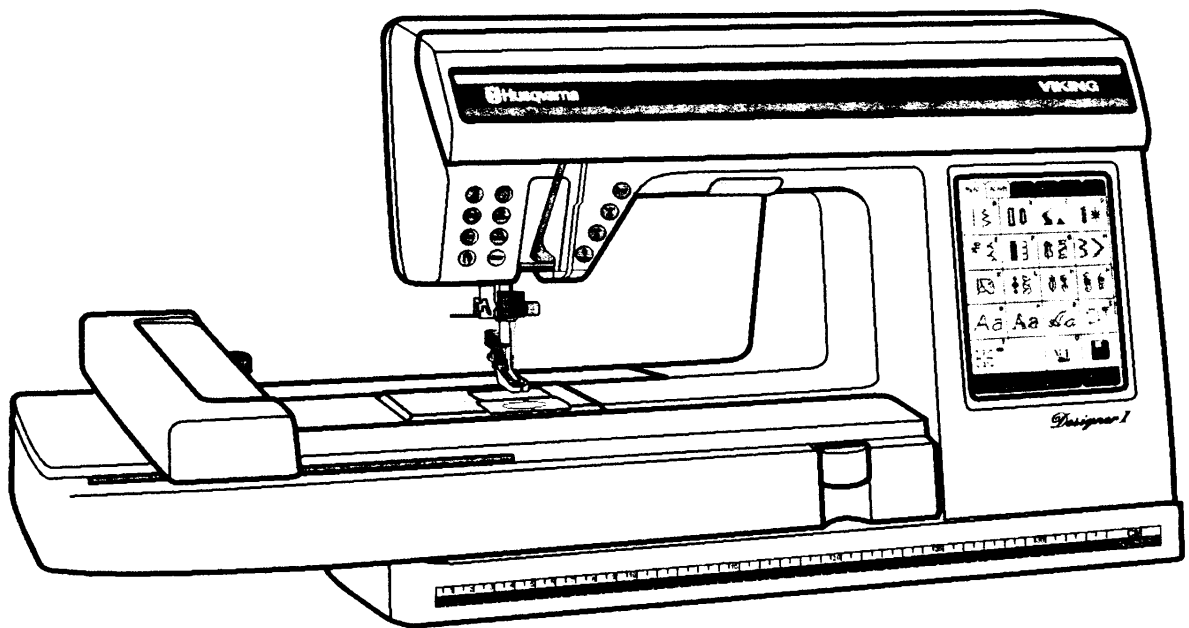


Spare parts list

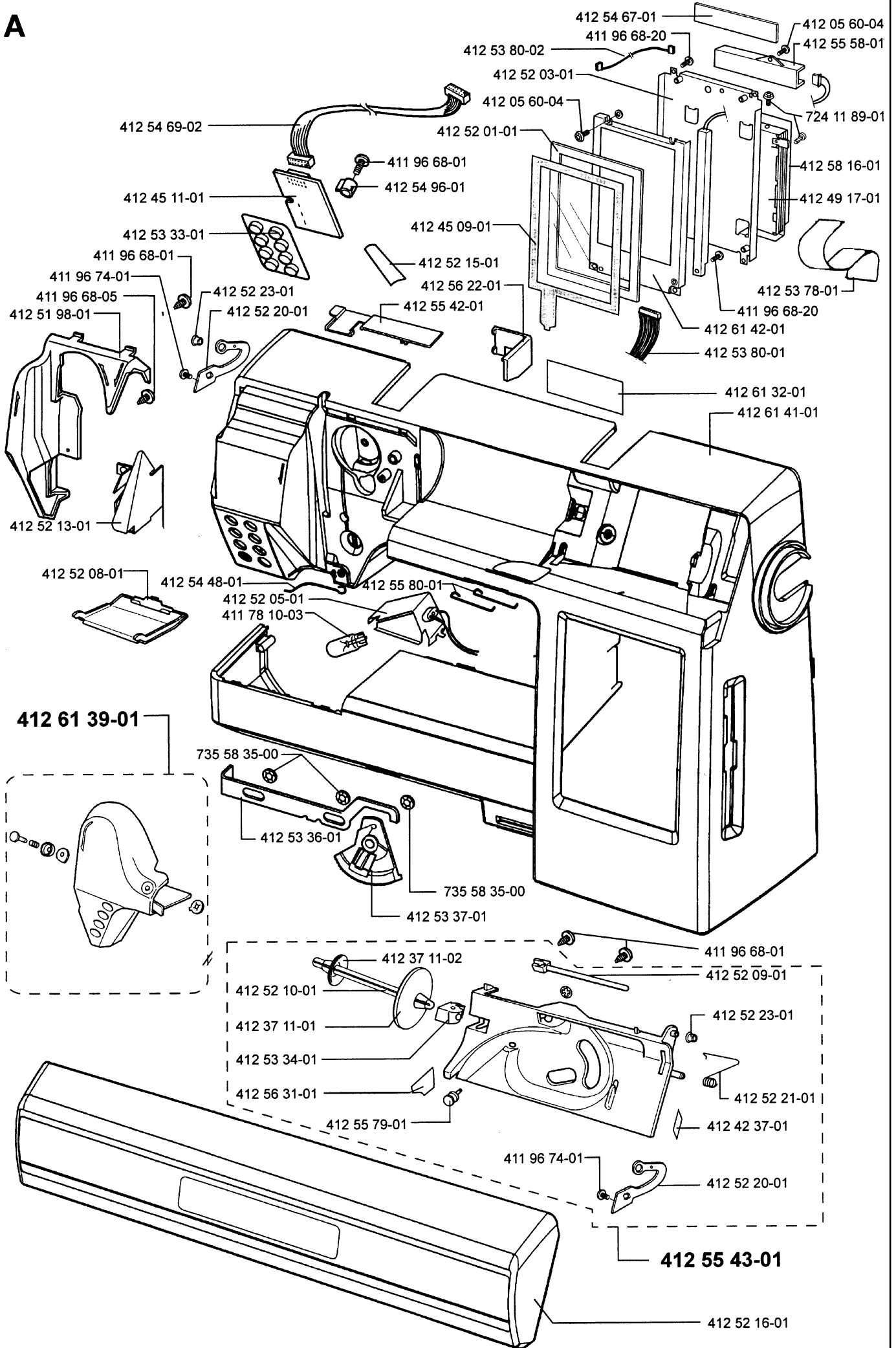


Designer I

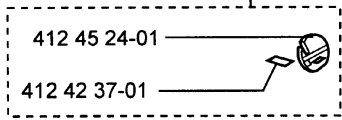
Part No	Description	Page	Part No	Description	Page
411 72 10-01	Washer	G	412 39 47-01	Washer, hook	E
411 75 00-08	Needle bar	K	412 39 90-01	Nut	S,
411 75 03-02	Screw	K	412 40 97-01	Screw	K
411 75 04-01	Screw	K	412 41 12-02	Ankel	K
411 78 10-03	Lamp	A, K	412 42 37-01	Knife	A, B, D
411 96 68-01	Screw	A, D, K, P, R	412 44 40-02	Hook	E
411 96 68-03	Screw	K	412 44 44-01	Gear	E
411 96 68-04	Screw	K	412 44 68-01	Screw	S,
411 96 68-05	Screw	A, M	412 44 69-01	Grip 150x240	S,
411 96 68-07	Screw	P	412 44 83-45	Circuit board	C
411 96 68-08	Screw	P	412 44 87-01	Spring, bobbin winding	B
411 96 68-10	Screw	B	412 45 09-01	Touch board	A
411 96 68-12	Screw	C	412 45 11-01	Circuit board, push buttons left	A
411 96 68-20	Screw	A, B	412 45 23-01	Knife, compl	B
411 96 68-21	Screw	K	412 45 24-01	Knife holder	B
411 96 68-24	Screw	K			
			412 45 38-01	Circuit board, push buttons right	M
411 96 68-25	Screw PT 16*8	M, K	412 46 45-01	Screw	E
411 96 71-07	Screw	C	412 47 16-01	Thread tension	E
411 96 72-04	Screw M 3*6	P	412 49 17-01	Floppy disk drive	A
411 96 73-06	Screw 25*6	R	412 49 25-01	Foot control compl.	N
411 96 74-01	Screw	A	412 49 30-01	Control unit with winder	N
411 96 75-01	Washer	M	412 49 49-01	Distance	C
411 98 14-01	Washer	S,	412 50 01-01	Sewing head, frame compl	K
412 00 13-01	Washer	E	412 50 06-01	Bearing	K
412 05 60-01	Screw	C	412 50 08-01	Gear segment	K
412 05 60-04	Screw	A, F, H, P	412 50 09-01	Spring	K
412 05 60-06	Screw	B, C, F, H, I, L	412 50 10-01	Spring	K
412 05 60-10	Screw	C, F	412 50 11-01	Link	K
412 05 60-11	Screw	G, P, R	412 50 15-01	Bearing	K
412 05 60-12	Screw M 4*6	P, R	412 50 19-01	Back holder, needle threader	K
412 15 27-01	Cog wheel	F	412 50 20-01	Front holder, needle threader	K
412 15 78-01	Cord device 220 V	N	412 50 21-01	Needle threader	K
412 15 79-03	Cord device 120 V	N	412 50 22-01	Setting plate	K
412 15 81-01	Cord device Australia	N	412 50 23-02	Eccentric needle adjust.	K
412 15 98-01	Spring	N	412 50 24-01	Cross head compl.	K
412 18 45-01	Foot	N	412 50 27-01	Calibration stop	K
412 19 53-01	Washer	F	412 50 31-01	Rack compl.	K
412 21 14-03	Screw	K	412 50 34-01	Pressar bar lifter	K
412 21 14-04	Screw	K	412 50 41-01	Spring	K
412 21 14-06	Screw	K	412 50 42-01	Connecting Board, sewing head	K
412 21 14-14	Screw	C	412 50 43-01	Lamp holder compl.	K
412 21 14-20	Screw	G	412 50 46-01	Wedge	K
412 22 98-01	Nut	H	412 50 47-01	Clamp ring	K
412 28 19-02	Screw	G, K	412 50 48-01	Clamp ring	K
412 28 54-02	Presser bar	K	412 50 52-01	Plate	K
412 28 79-01	Screw	D	412 50 55-01	Frame , lower	K
412 30 06-01	Driver	L	412 50 56-01	Step motor	K
412 30 07-01	Spring	L	412 50 60-01	Side feeding unit	F
412 30 08-01	Pully	L	412 50 63-01	Draw bar	F
412 30 09-02	Handwheel	L	412 50 64-01	Cog segment	F
412 30 30-01	Guide arm	K	412 50 65-01	Clamp	F
412 30 50-01	Foot	C	412 50 66-01	Draw bar	F
412 30 55-01	Rubber ring	B	412 50 72-01	Spring	H
412 30 66-01	Shaft	E	412 50 73-01	Eccentric	F
412 31 69-01	Spring	K	412 50 87-01	Spring	D
412 31 60-49	Pin	R	412 50 88-01	Damper	D
412 31 79-01	Clutch	L	412 50 89-01	Thread cutter gearbox	D
412 31 81-01	Clamp	I	412 50 97-01	Slide	D
412 31 84-01	Bushing, feed dog	G	412 51 01-01	Thread hook	D
412 32 27-04	Bobbin winding unit	B	412 51 05-01	Cover, thread cutter	D
412 32 33-02	Sealing washer	B	412 51 28-01	Step motor compl.	D
412 32 34-08	Step motor compl. Z-Z	K	412 51 31-01	Cable, thread sensor compl	D
412 32 34-09	Step motor compl. Feeding	H	412 51 33-01	Bobbin holder	D
412 33 62-01	Cog wheel	K	412 51 34-01	Bobbin hatch	D
412 32 84-01	Clamp	I, L			
			412 51 36-01	Feed unit	G
412 33 75-01	Spring	F	412 51 37-01	Guide compl. With carriger	G
412 33 93-01	Attatchment, motor	C	412 51 43-01	Block, guide	G
412 33 94-01	Muffler, motor	C	412 51 44-01	Feed carriage	G
412 33 97-01	Motor	C	412 51 49-01	Spring	G
412 34 26-01	Spring	B	412 51 50-01	Feed dog compl.	G
412 34 50-01	Eccentric	B	412 51 51-01	Feed dog	G
412 34 51-01	Adjusting arm	B	412 51 53-01	Spring	G
412 34 54-01	Cog belt , motor	L	412 51 54-01	Lever, Feed lift	G
412 34 60-01	Stop ring	I	412 51 55-01	Spring	G
412 34 81-01	Spring	H	412 51 56-01	Stop ring	G
412 34 82-01	Screw	H	412 51 63-01	Worm gear	I
412 34 85-01	Joint cross	H	412 51 64-01	Holder, stopright card	C
412 34 88-01	Fastner	H	412 51 68-01	Lower shaft	I
412 34 96-01	Cablage, motor	C	412 51 69-01	Eccentric feed	I
412 34 97-02	Cablage for PC Board	C	412 51 70-01	Distance	I
412 35 26-01	Washer	I	412 51 76-01	Accessory box	O
412 35 33-02	Driving wheel compl.	C	412 51 78-01	Embroidery box compl.	S
412 35 42-01	Pully	I	412 51 89-01	Nut	M
412 35 62-01	Pin	B	412 51 90-01	Housing, Thread tension	M
412 36 83-03	Arm shaft compl.	L	412 51 91-01	Sensor	M
412 36 84-01	Cog belt	L	412 51 92-01	Spring	M
412 36 87-01	Pin	L	412 51 94-01	Adjusting sleeve	M
412 37 11-01	Thread real disc (big)	A	412 51 95-01	Push buttons	M
412 37 11-02	Thread real disc (small)	A	412 51 97-01	Cover, thread tension	M
412 37 82-01	Nut	G	412 51 98-01	Thread guide	A
412 38 42-02	Cog wheel	P, R	412 52 01-01	Sealing	A
412 38 43-01	Washer	P, R	412 52 03-01	Holder	A
412 39 09-14	Plastic bag with acc.	O	412 52 05-01	Lamp comp.	A

Part No	Description	Page	Part No	Description	Page
412 52 08-01	Lamp guard	A	412 56 15-45	Bobbin 10 pack	E
412 52 09-01	Thread holder	A	412 56 18-01	Step motor comp.	P
412 52 10-01	Reel pin	A	412 56 22-01	Cable holder, arm shaft	A
412 52 13-01	Thread guide	A	412 56 31-01	Thread guide	A
412 52 14-01	Spring	M	412 56 39-01	Cover, X-unit	P
412 52 15-01	Heat protector	A	412 56 43-03	Transformer comp.	C
412 52 16-01	Door, front cover	A	412 56 54-01	Accessories , Embroidery	S
412 52 20-01	Hinge	A	412 56 85-01	Dust cover	E
412 52 21-01	Spring	A	412 56 86-01	Adjusting washer	E
412 52 23-01	Bushing	A	412 56 97-01	Distance, back cover	B
412 52 25-01	Back cover, upper	B	412 57 75-03	Cable holder	C
412 52 26-01	Handle	B	412 57 78-01	ESD-cable	H
412 52 28-01	Back cover, free arm	B	412 57 97-01	Grip 100x100	S
412 52 30-01	Cover plate, embroidery	B	412 58 16-01	Protector, floppy	A
412 52 33-01	Base plate, cover	C	412 58 25-01	Screw	K
412 52 34-01	Base plate	C	412 58 99-01	Distance	B
412 52 40-01	Step motor Y-unit compl	R	412 59 00-01	Cover	R
412 52 46-01	Cog wheel, large	P, R	412 59 01-01	Cog wheel	M
412 52 42-01	Cable, embroidery unit	P	412 59 11-01	Cable	K
412 52 48-01	Holder, X-cog belt	P	412 59 78-01	ESD-spring	C
412 52 49-01	Adjuster, belt tension	P	412 60 01-01	Needle bar frame	K
412 52 52-01	Bearing	P	412 60 02-01	Sewing head	K
412 52 53-01	Holder, Y-cog belt	R	412 60 03-01	Thread take up	K
412 52 54-01	Sensor Em. Frame	R	412 60 04-01	Hook cover	D
412 52 55-01	Cog belt, Y-unit	P	412 60 05-01	Thread tension unit	M
412 52 56-01	Shaft	P	412 60 06-01	Washer set, thread tension	M
412 52 61-01	Circuit board	R	412 60 10-01	Distance, step motor	M
412 52 64-01	Frame Y-unit	R	412 60 11-01	Distance, thread brake	M,
412 52 65-01	Button	R	412 60 17-01	Thread brake, inner	M
412 52 66-01	Spring	R	412 60 18-01	Thread brake, outer	M
412 52 67-01	Cog belt	R	412 60 71-01	Embroidery disks	S
412 52 69-01	Shaft	R	412 61 31-01	Spring	M
412 52 71-01	Embroidery hoop 150x240	S	412 61 32-01	Heat protector,	A
412 52 74-01	Embroidery hoop 100X100	S	412 61 33-01	Lever	M
412 52 77-01	Upper cover, X-unit	P	412 61 39-01	Cover, thread tension	A, M
412 52 78-01	Lower cover, X-unit	P	412 61 41-01	Front cover	A
412 52 79-01	Cover,Y-unit	R	412 61 42-01	LCD	A
412 52 80-01	Step motor cover, Y-unit	P	721 41 69-70	Pin	H
412 52 83-01	Locker, Embroidery unit	P	721 41 87-70	Pin	I, L
412 52 84-01	Spring	P	721 42 10-10	Pin	I
412 52 85-01	Guide rail	P	724 11 89-01	Screw	A
412 52 92-01	Cover	O	725 52 20-05	Screw M3*6	H
412 52 97-01	Friction tape	P	725 52 28-05	Screw	K
412 53 03-01	Screen	I	725 52 85-05	Screw	K
412 53 30-01	Stitch plate	D	728 52 17-05	Screw	F, H, M, K
412 53 33-01	Push buttons	A	728 52 18-05	Screw	K
412 53 34-01	Guide, real pin	A	728 52 22-05	Screw M3*8	K
412 53 36-01	Link	A	728 52 83-05	Screw M4*4	G
412 53 37-01	Knob, feed dog lowering	A	728 52 85-05	Screw	K
412 53 74-01	Embroidery templet 100x100	S	728 52 87-05	Screw M4*8	E
412 53 75-01	Embroidery templet 150x240	S	728 82 83-05	Screw	I, L
412 53 78-01	Cable, floppy	A	728 53 20-05	Screw	L
412 53 80-01	Cable, display	A	728 73 20-01	Screw	L
412 53 80-02	Cable, lamp transformer	A	728 73 64-05	Screw 6*10 mm	C
412 54 02-01	Feeding unit	H	734 11 12-71	Washer	D
412 54 06-01	Calibration stop	H	734 11 25-41	Washer	K
412 54 07-01	Damper	H	735 21 36-01	Washer	C
412 54 08-01	Cog wheel	H	735 31 05-00	C-Washer	M
412 54 10-01	Shaft	H	735 31 08-20	C -Washer	E, P, R
412 54 48-01	Thread guide	A, M	735 31 10-20	C- Washer	P, R
412 54 52-01	Cog segment	D	735 58 23-00	Washer	M
412 54 53-01	Lever	D	735 58 35-00	Locking washer	A
412 54 54-01	Fetcher	D	735 58 55-00	Washer	L
412 54 55-01	Knife slide	D	735 61 18-40	C-Washer	K
412 54 56-01	Spring	C	735 61 13-40	Washer	D
412 54 64-01	Calibration lever	P, R	735 61 36-40	C-washer	F, K
412 54 65-01	Holder	R	735 61 53-40	C-Washer	K
412 53 66-01	Pin , feed dog lowering	P			
412 54 67-01	Transformer compl.	A	ACCESSORIES		
412 54 69-01	Cable, connection card, sewing head	C	401 53 99-01	Buttonhole knife	O
412 54 69-02	Cable, connection card- left	A	401 55 55-01	Brush	O
412 54 69-03	Cable, connection card- right	M	411 17 32-01	Clearance plate	O
412 54 69-04	Cable, connection card, stop right	C	412 08 38-47	Marking pen, neutral	O
412 54 96-01	Holder	A	412 56 15-45	Bobbins (10)	O
412 54 97-01	Tap, thread guard	M	412 36 14-01	Stitch plate opener	O
412 54 98-01	Washer	M	412 38 15-01	Screw driver	O
412 55 01-01	Bobbin case compl.	E	412 39 77-01	Net	O
412 55 39-01	Cable holder, X-unit	P	412 44 77-01	Siccor	O
412 55 40-01	Frame Y-unit	R	412 49 06-01	Templet pencil	O
412 55 42-01	Cable holder	A	412 57 01-01	Sleeve, lamp	O
412 55 43-01	Cover, bobbin winding	A	412 60 19-01	Guide	O
412 55 48-01	Step motor, thread tension	M	PRESSER FEET		
412 55 57-01	Spring	R	411 73 95-01	Edge guide G	O
412 55 58-01	Holder	A	411 85 30-01	Presser foot H	O
412 55 62-01	Step motor	F	412 00 16-01	Presser foot, decorative stitches	O
412 55 79-01	Thread guide	A	412 38 00-01	Presser foot A	O
412 55 80-01	Thread guide	A	412 34 65-01	Presser foot S	O
412 55 81-01	Washer	M	412 37 08-01	Quilting foot P	O
412 55 82-01	Cable	C	412 38 01-01	Presser foot B	O
412 55 83-01	Holder	R	412 38 02-01	Buttonhole foot C	O
412 55 84-01	Damper	L	412 38 04-01	Presser foot D	O
412 55 85-01	Connecting board	P	412 38 05-01	Zipper foot E	O
412 55 93-01	Circuit board, stop right	C	412 38 06-01	Presser foot J	O
412 56 13-01	Cutter, thread brake	D	412 40 80-01	Button hole meter, comp.	O
			412 43 37-01	Presser foot R	O

A



412 45 23-01



412 52 26-01

412 52 25-01

411 96 68-20

412 56 97-01

412 56 97-01

411 96 68-20

411 96 68-20

411 96 68-20

411 96 68-20

412 52 30-01

412 52 28-01

411 96 68-10

412 58 99-01

411 96 68-10

412 32 27-04

412 32 33-02

412 35 62-01

412 34 26-01

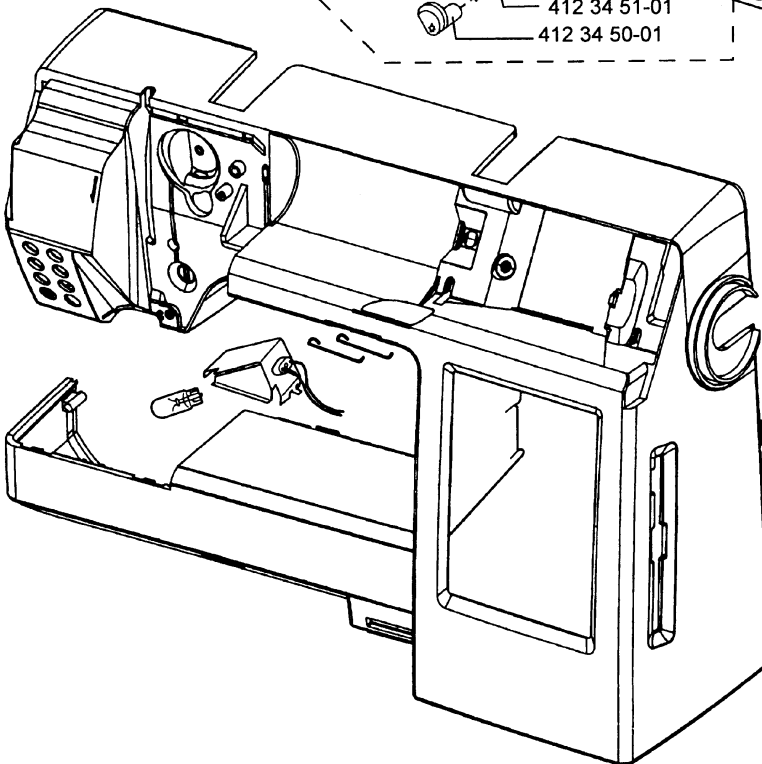
412 05 60-06

412 44 87-01

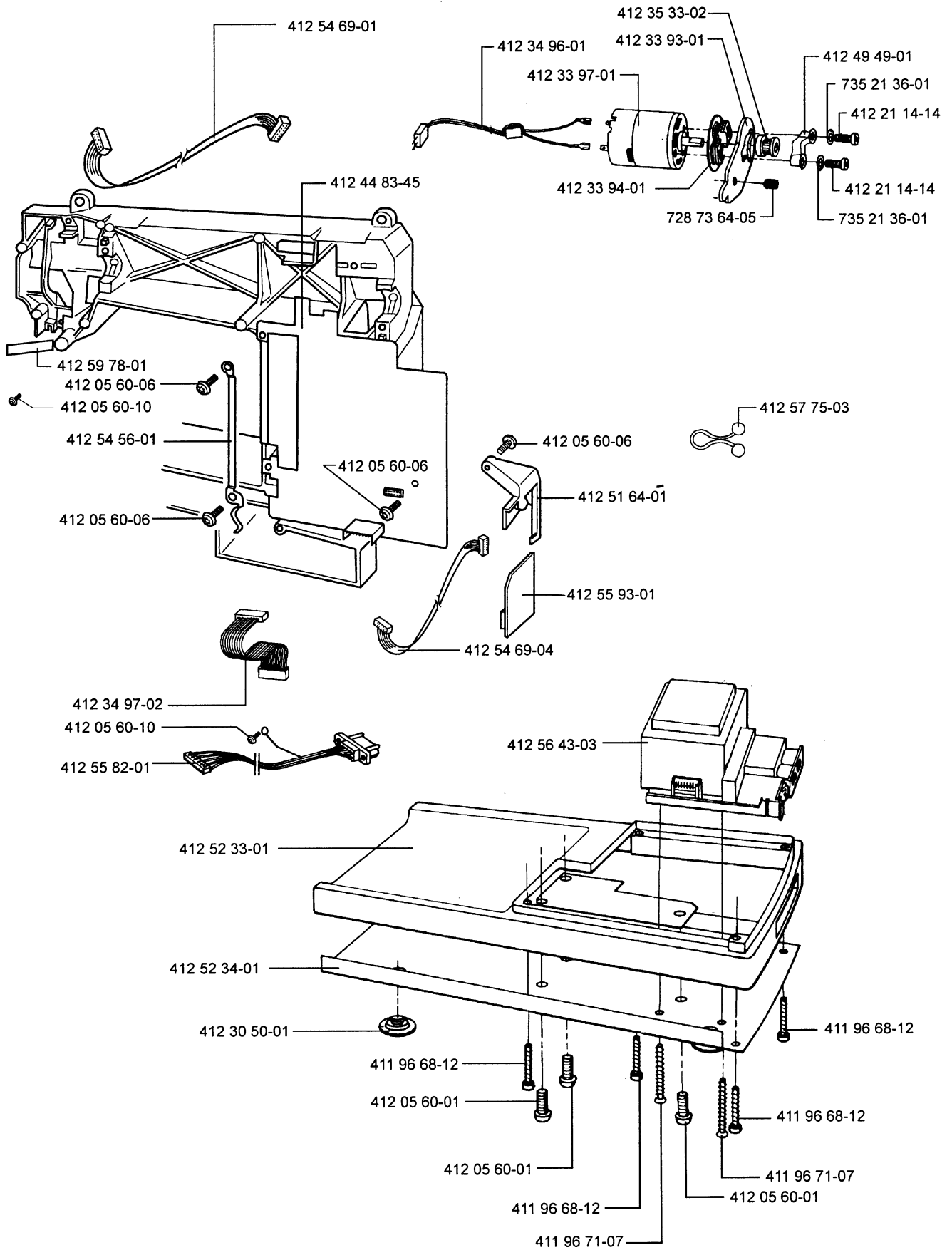
412 30 55-01

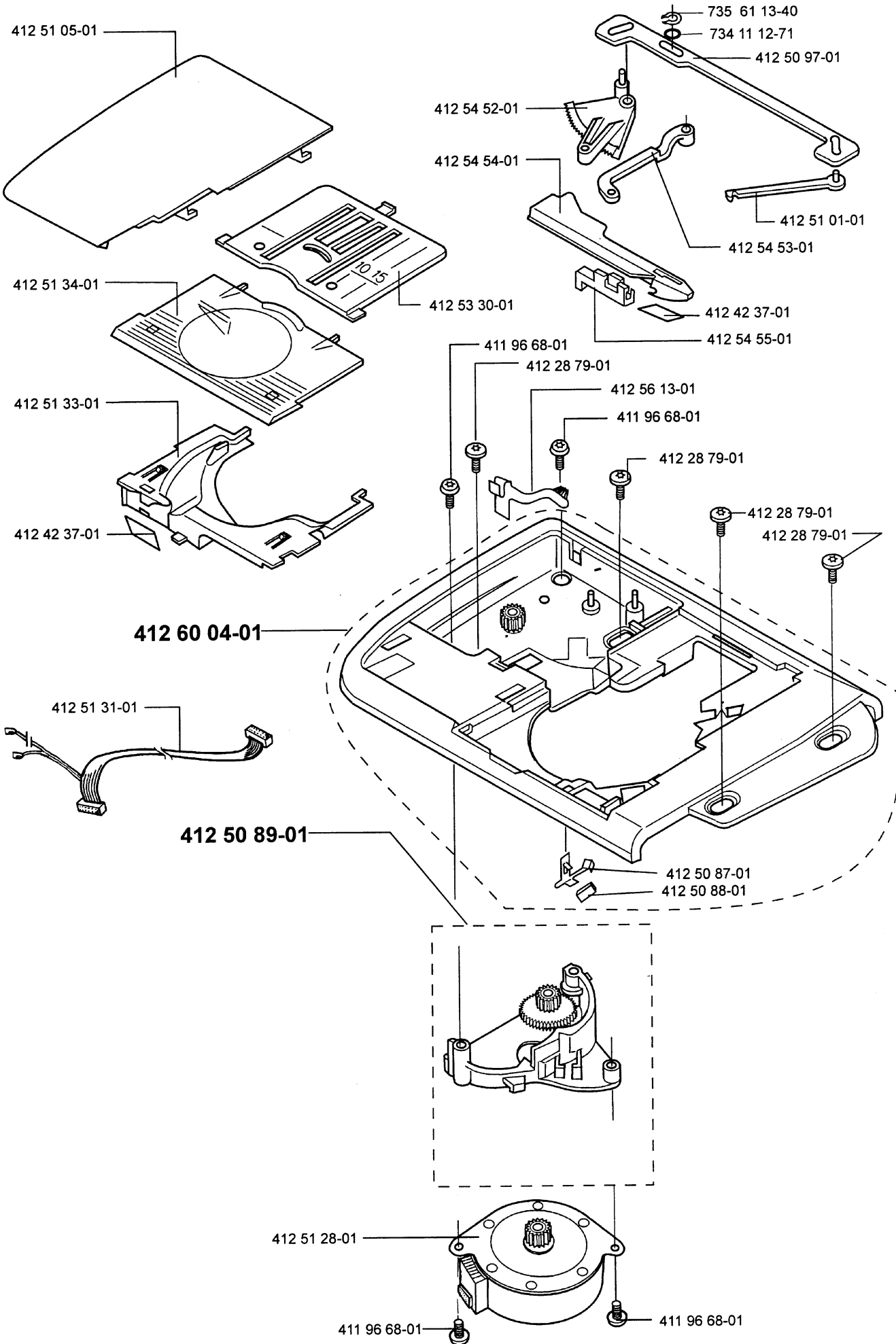
412 34 51-01

412 34 50-01

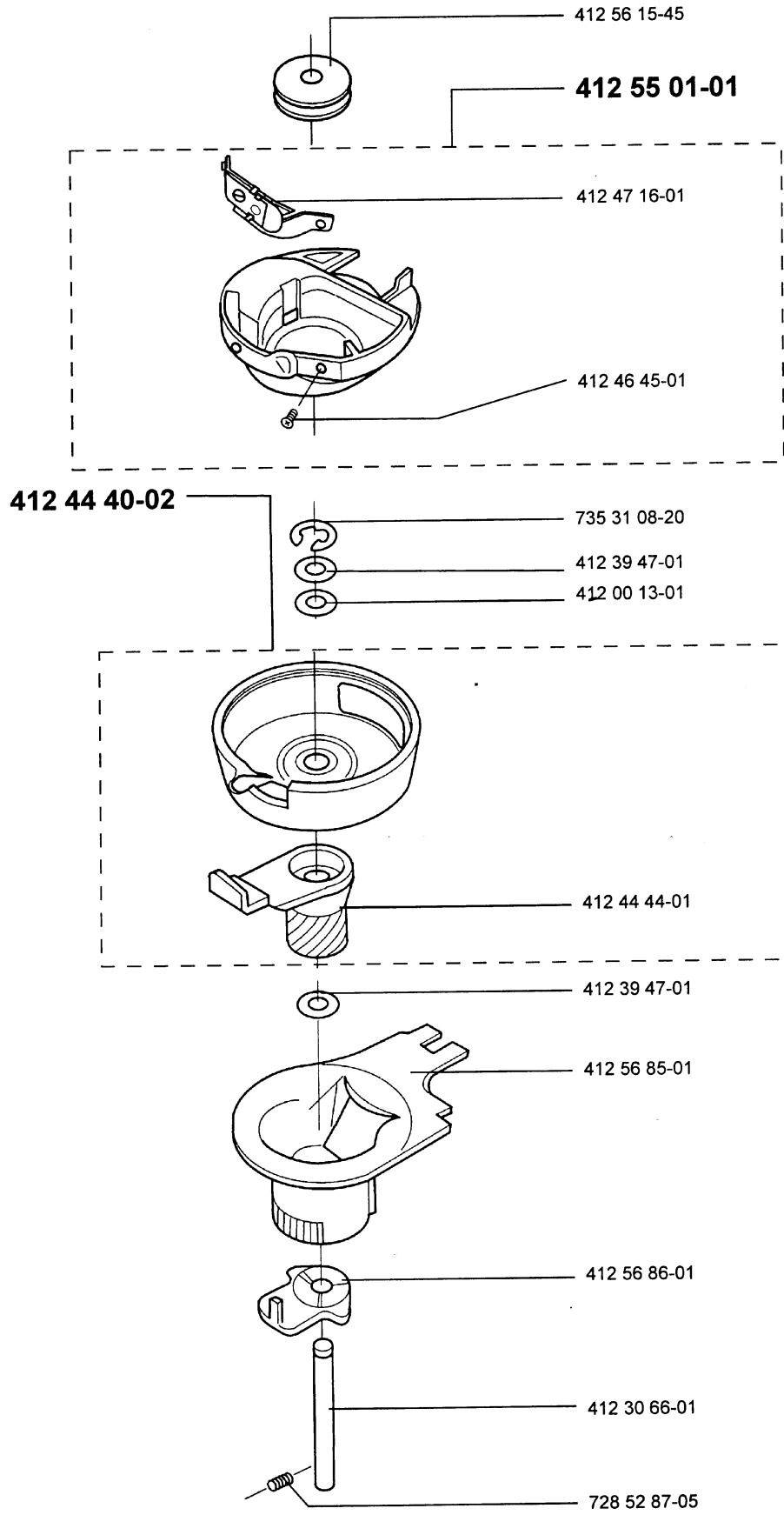


C



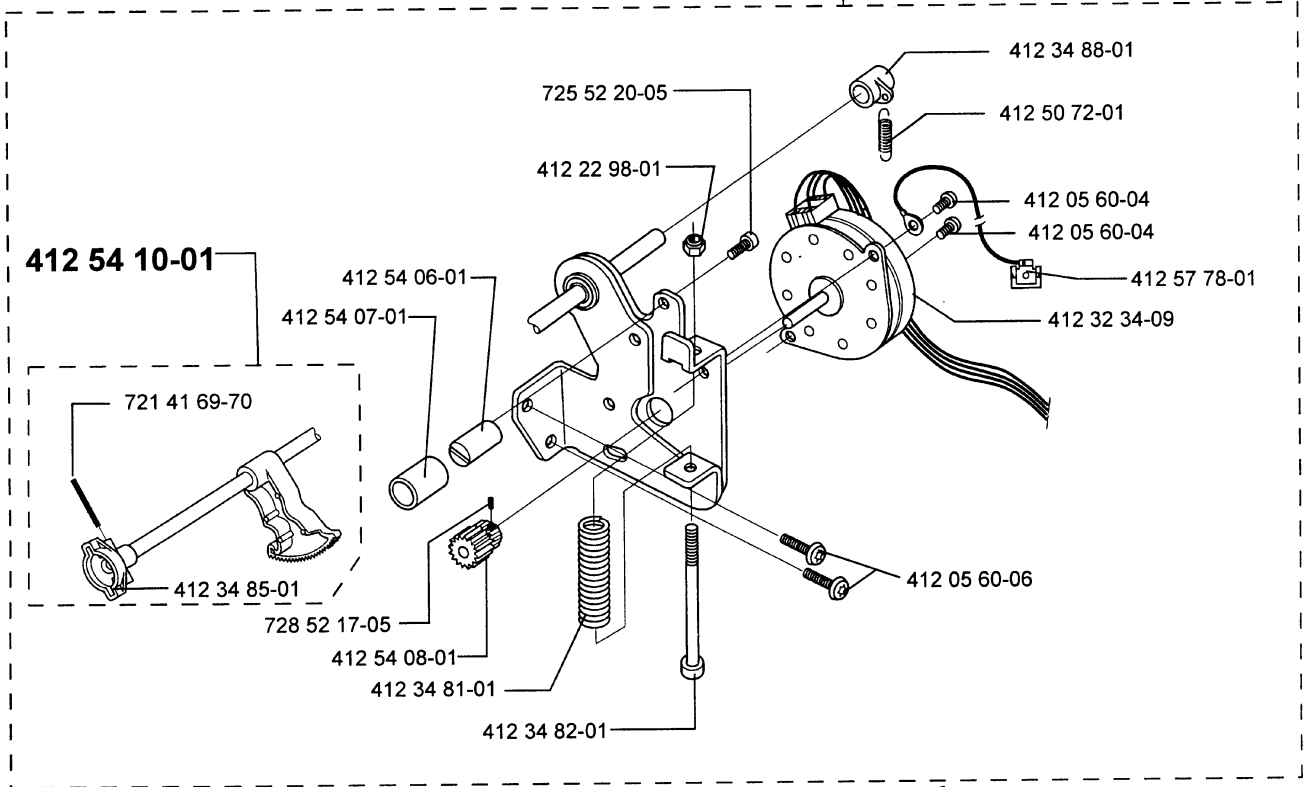


E

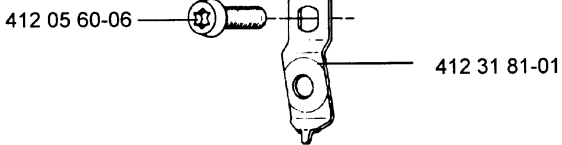


H

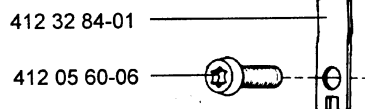
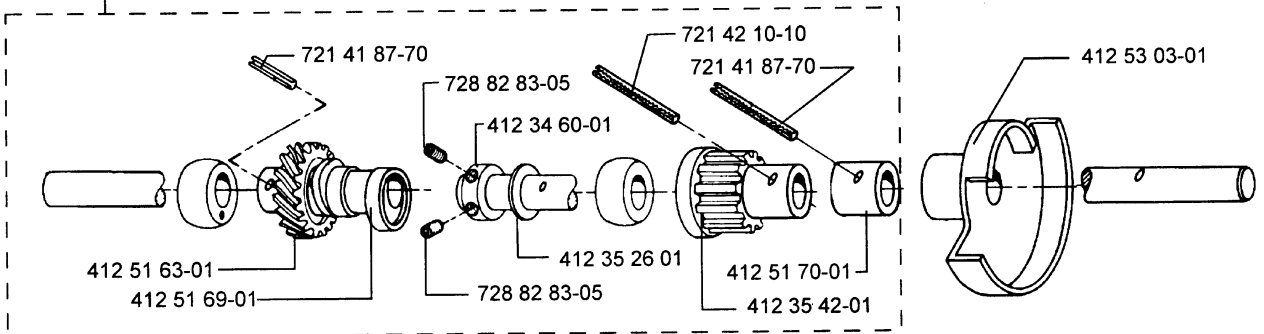
412 54 02-01



I



412 51 68-01



412 60 02-01

734 11 25-41 412 21 14-06

411 96 68-04 412 50 23-02

734 11 25-41 412 50 23-02 412 60 03-01

412 50 22-01

735 61 53-40

412 30 30-01

735 61 53-40

412 50 42-01

412 50 09-01

735 61 36-40

411 96 68-01

412 50 10-01

412 50 34-01

411 96 68-01

412 50 48-01

411 96 68-01

412 50 06-01

412 32 34-08

412 28 19-02

412 33 62-01

411 96 68-04

412 50 01-01

728 52 17-05

412 50 27-01

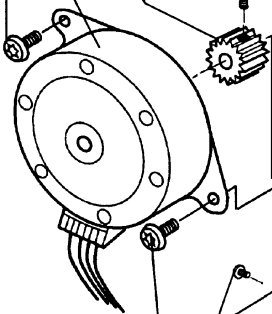
412 60 01-01

412 50 15-01

412 50 47-01

411 75 00-08

412 50 24-01



412 50 41-01

412 50 31-01

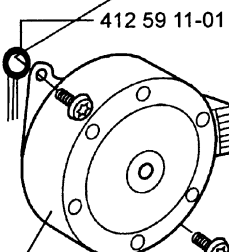
412 21 14-04

411 96 68-21

412 50 42-01

412 31 69-01

412 28 54-02



412 50 56-01

411 96 68-01

412 50 08-01

412 50 11-01

735 61 18-40

412 50 15-01

412 50 47-01

412 21 14-03

411 75 03-02

412 50 20-01

412 50 52-01

412 50 21-01

411 96 68-25

412 50 19-01

412 50 11-01

412 50 11-01

412 58 25-01

728 52 18-05

411 75 04-01

412 40 97-01

725 52 28-05

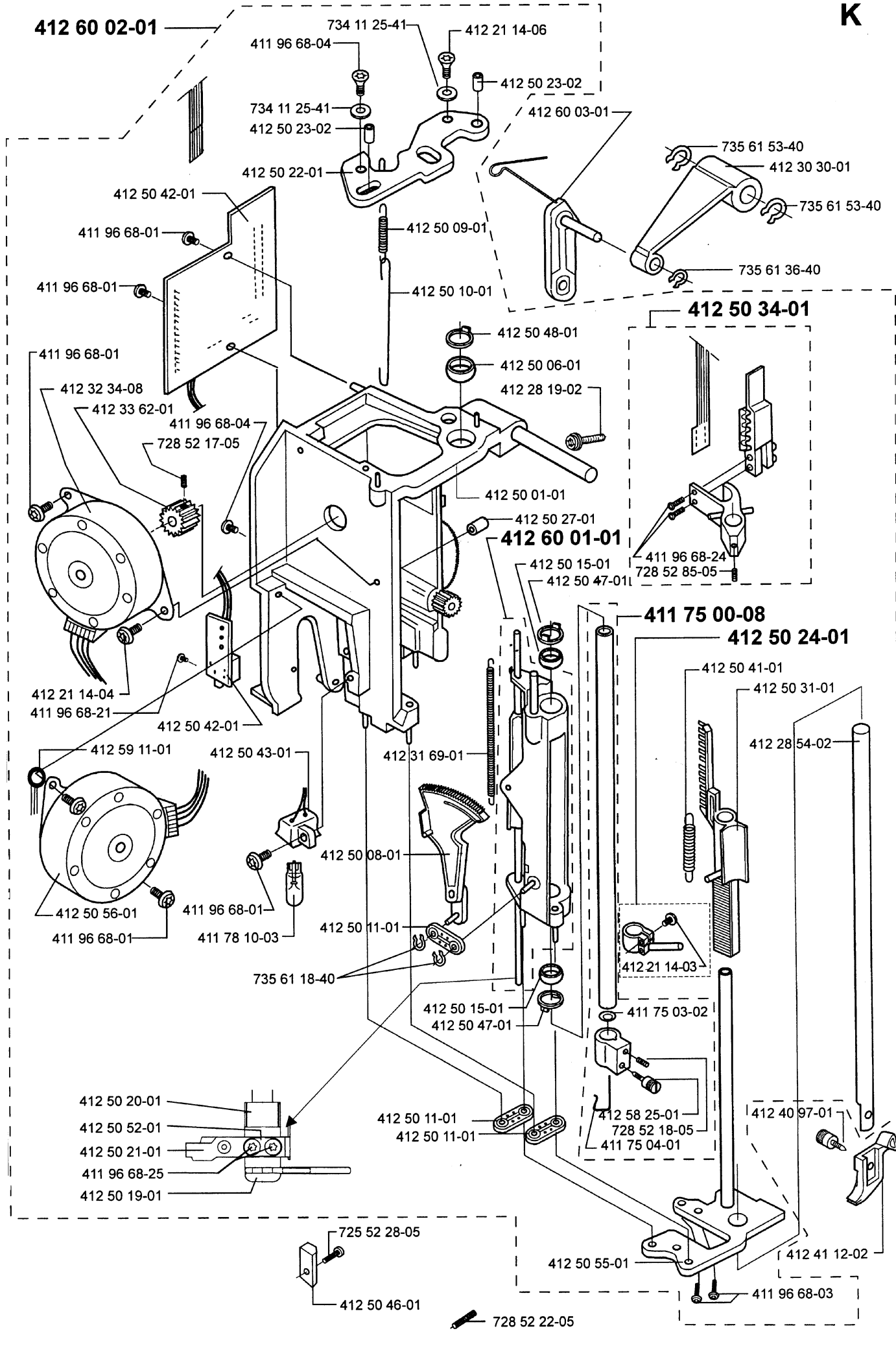
412 50 55-01

412 41 12-02

412 50 46-01

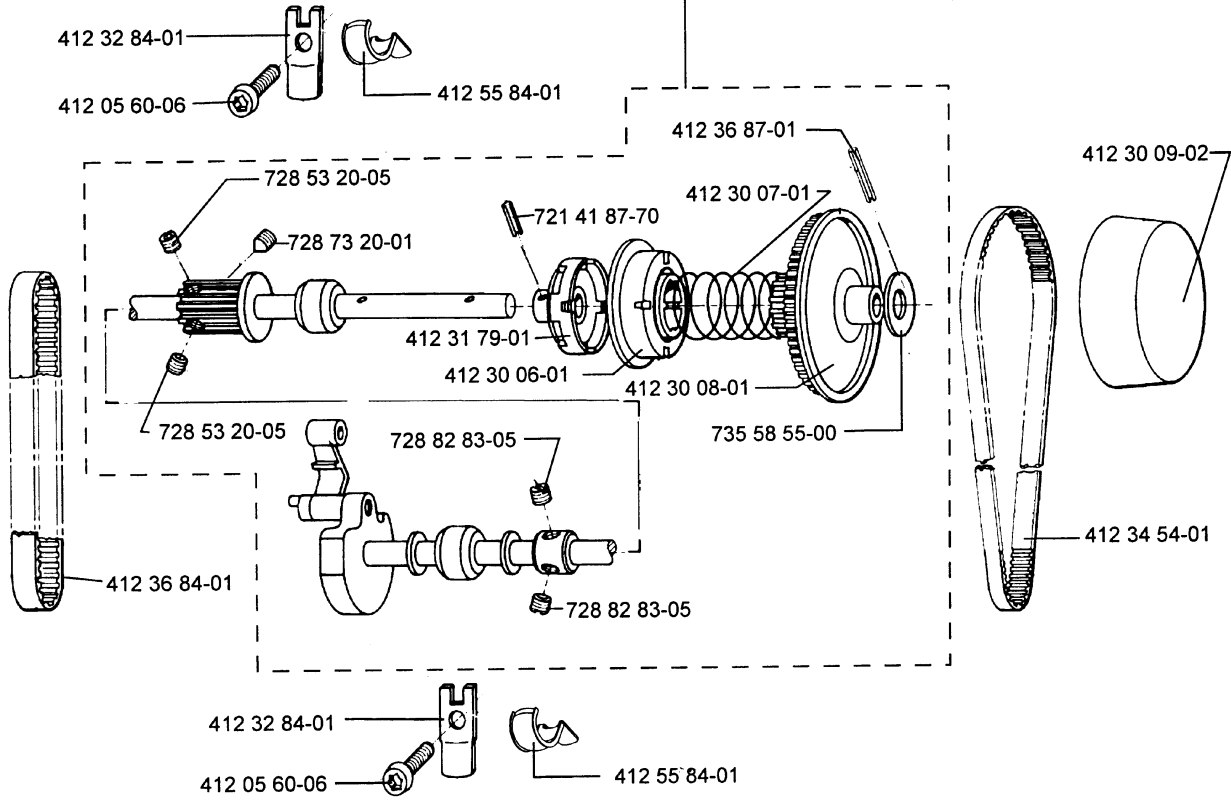
411 96 68-03

728 52 22-05



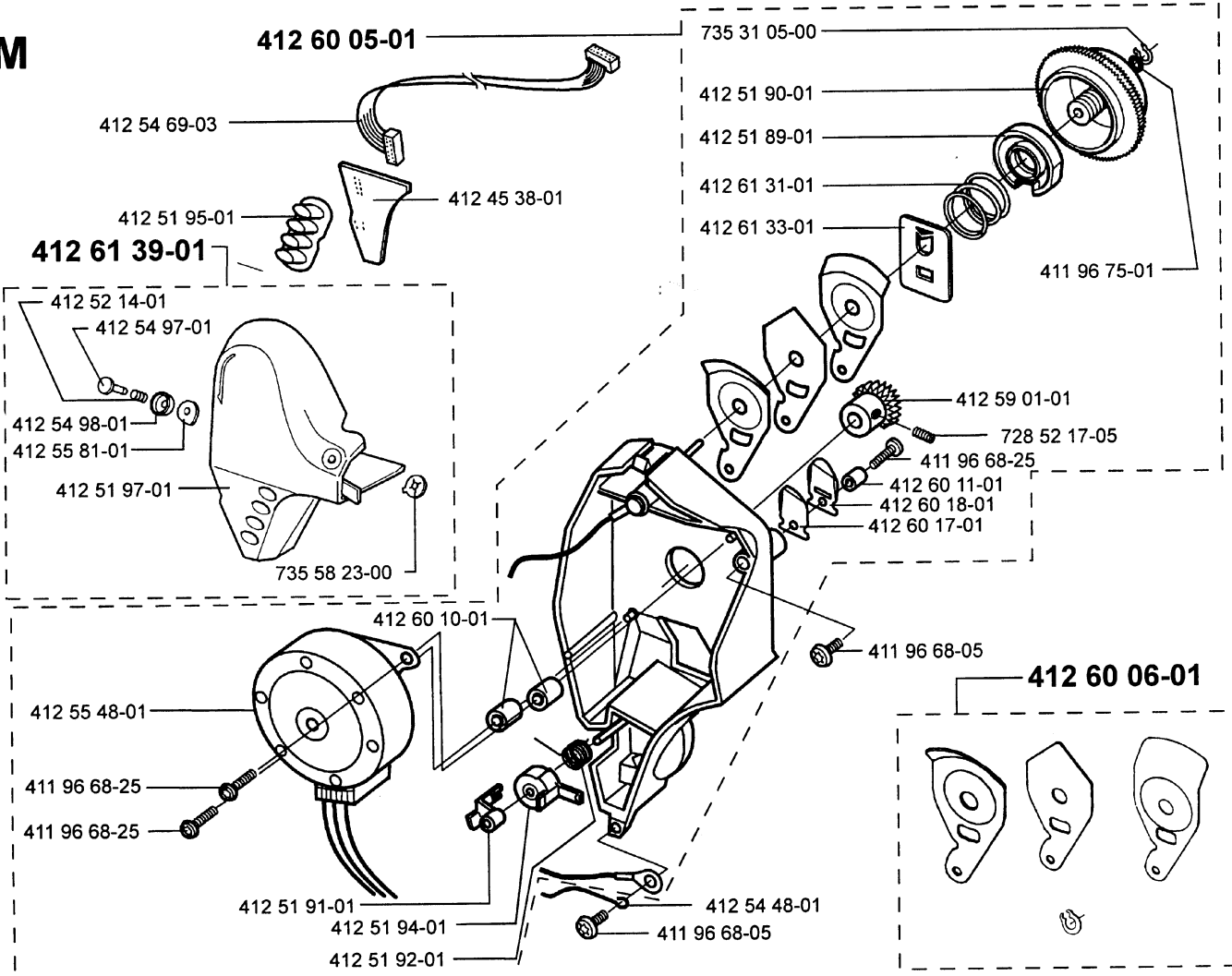
L

412 36 83-03

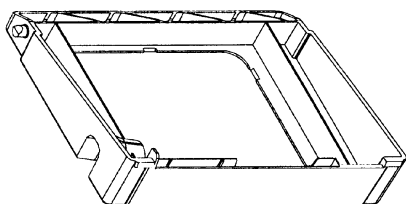
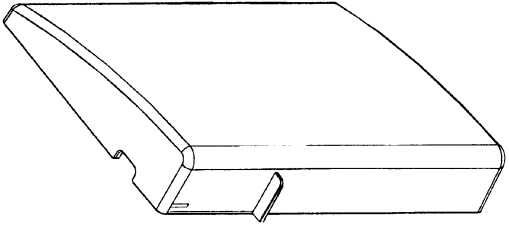
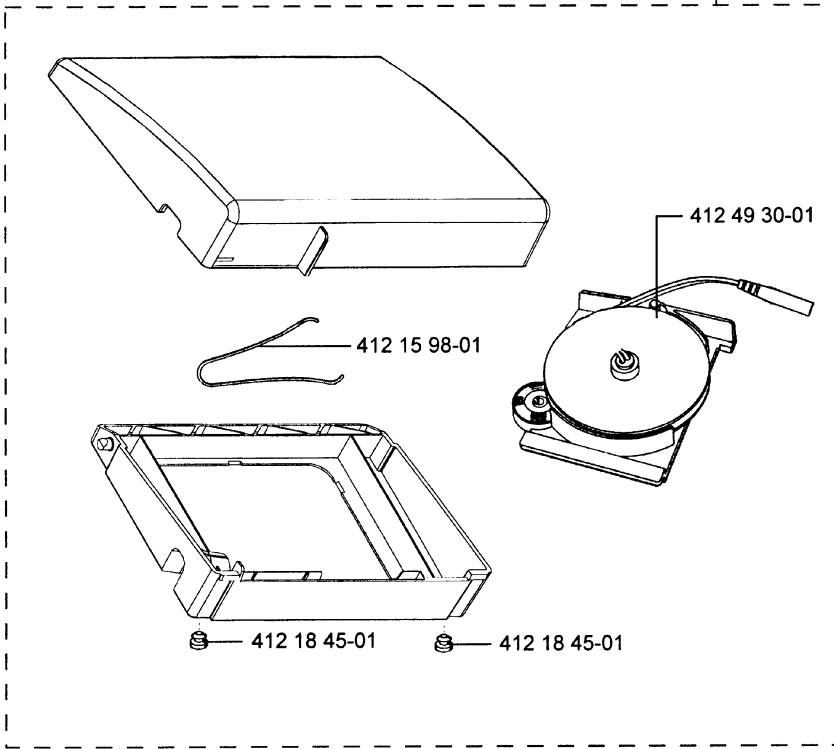


M

412 60 05-01



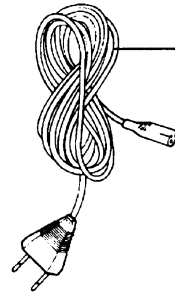
412 49 25-01



412 15 98-01

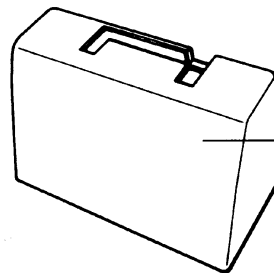
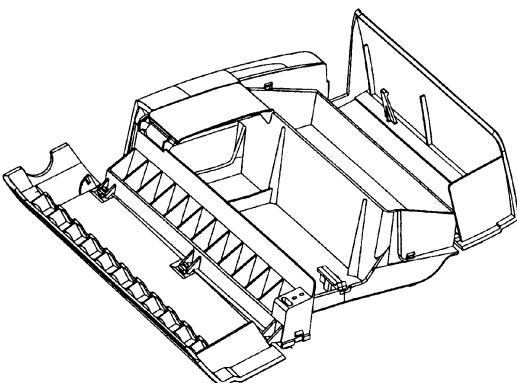
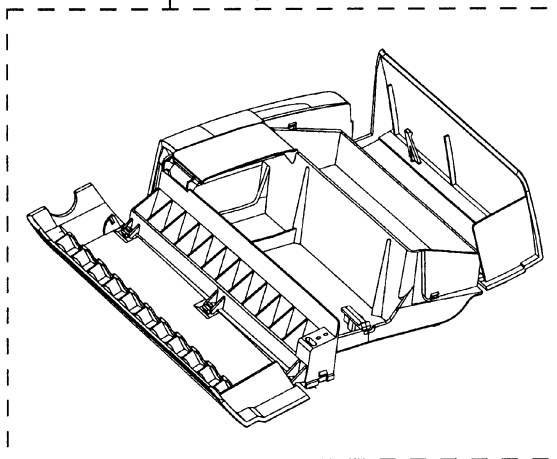
412 18 45-01 412 18 45-01

412 49 30-01

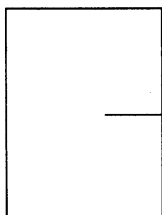


412 15 78-01 220 V
 412 15 79-03 120 V
 412 15 81-01 Australia

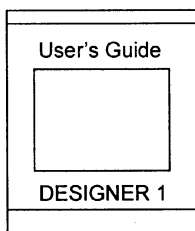
412 51 76-01



412 52 92-01

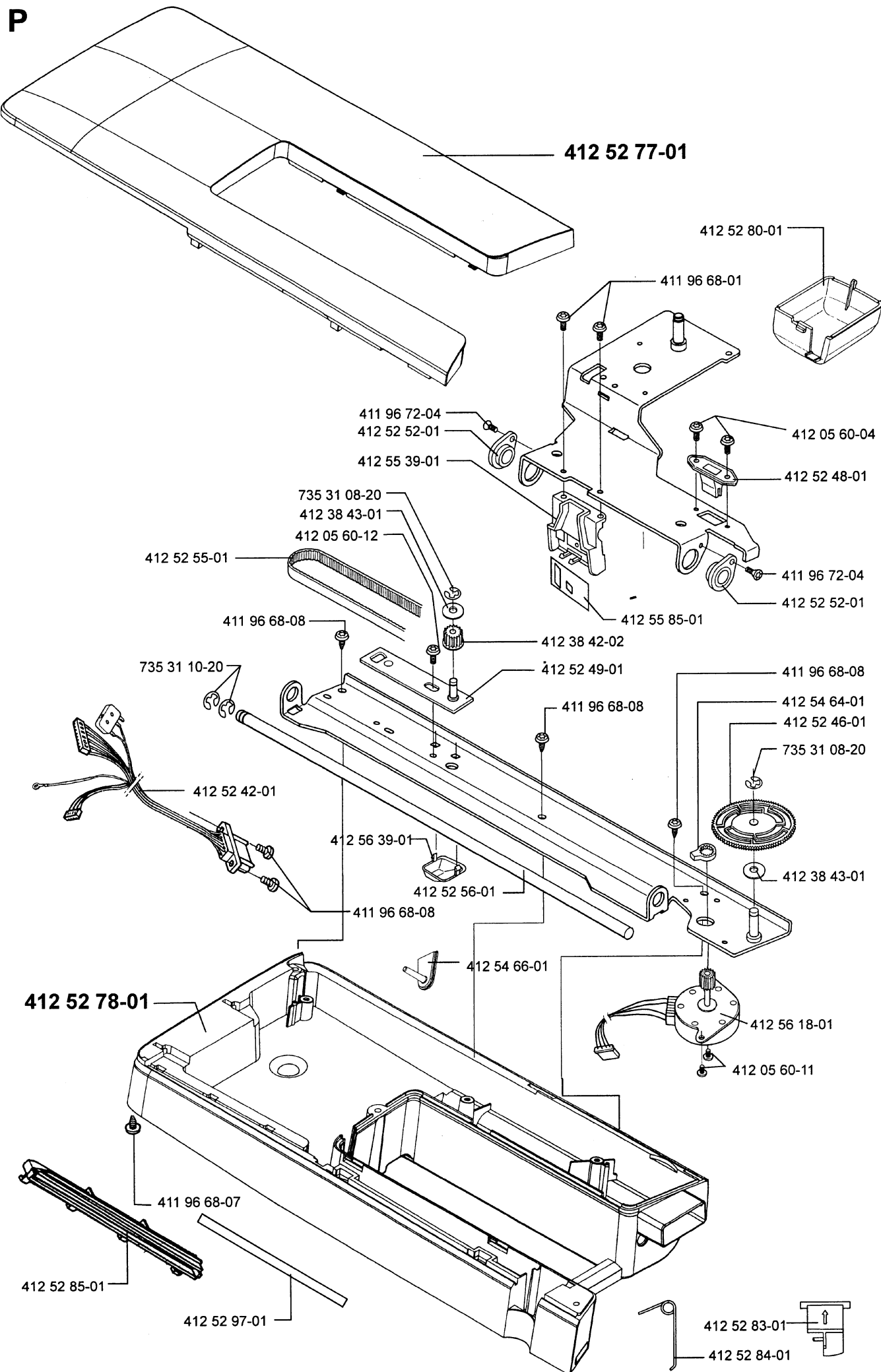


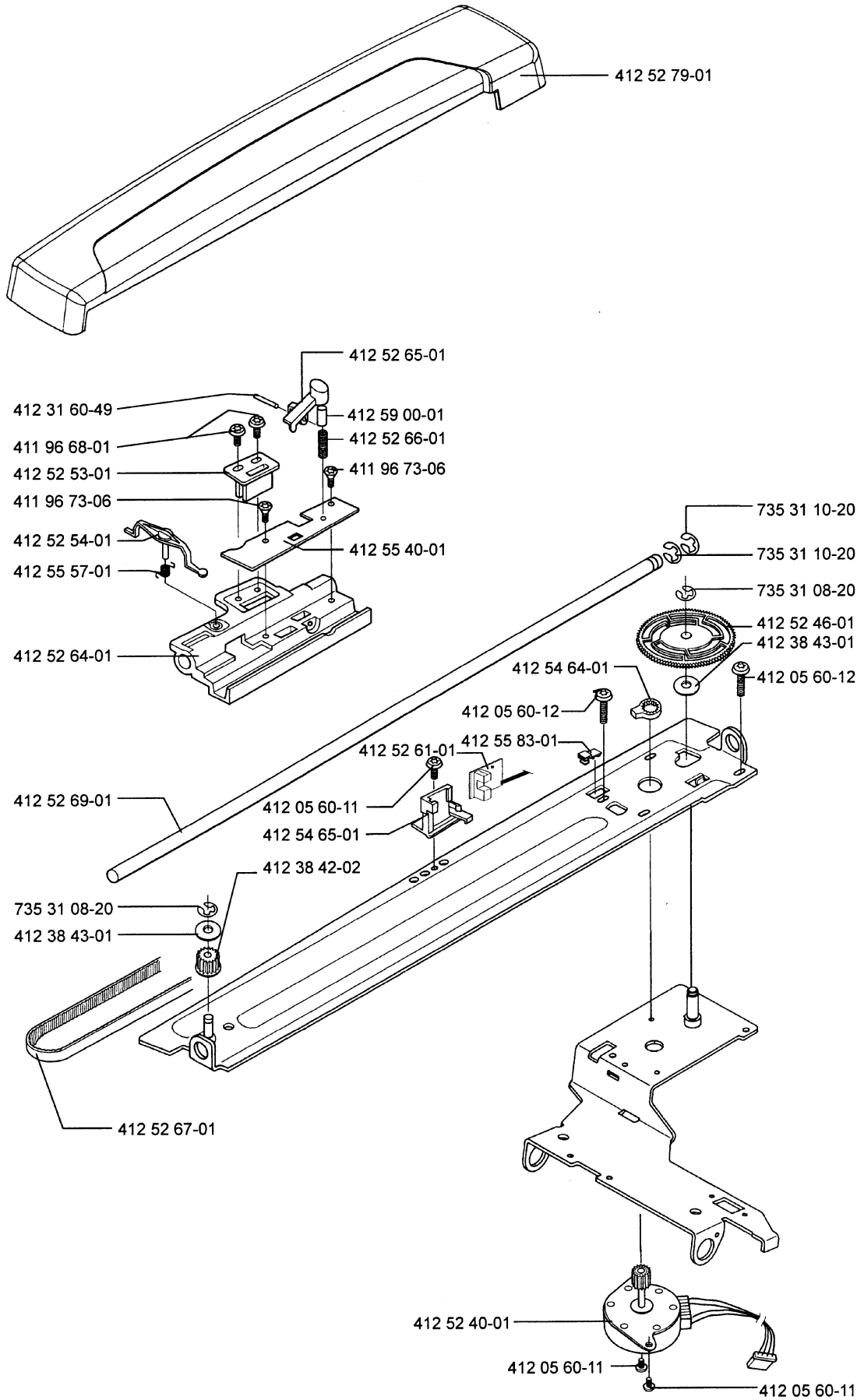
412 39 09-14
 Bruch, bobbins,
 Presserfeet etc



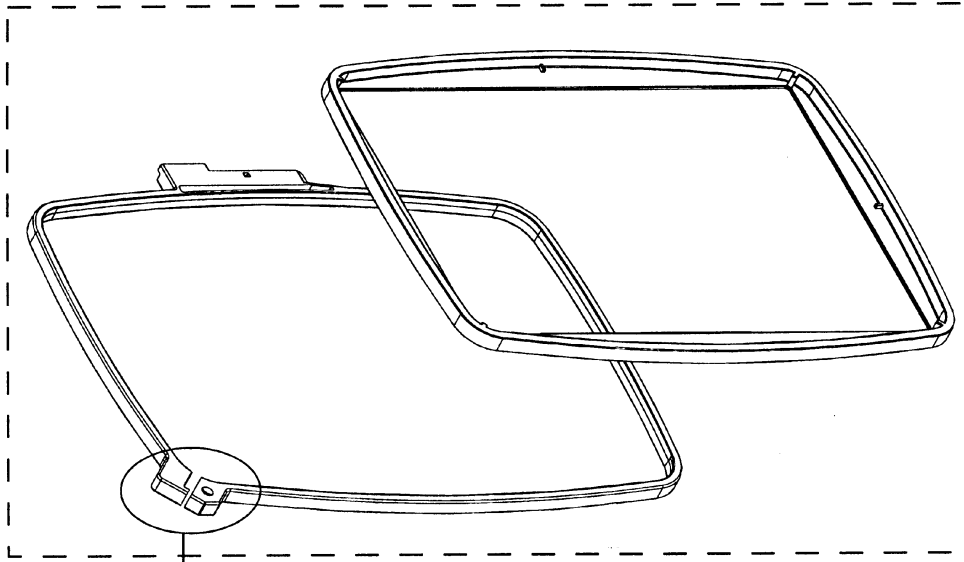
- 412 55 88-01 Users Guide Swe
- 412 55 88-06 Users Guide Den
- 412 55 88-11 Users Guide Fin
- 412 55 88-21 Users Guide Nor
- 412 55 88-26 Users Guide Eng
- 412 55 88-31 Users Guide Fra
- 412 55 88-36 Users Guide Dutch
- 412 55 88-41 Users Guide Ita
- 412 55 88-46 Users Guide Spa
- 412 55 88-51 Users Guide Ger
- 412 55 88-56 Users Guide Rus

P

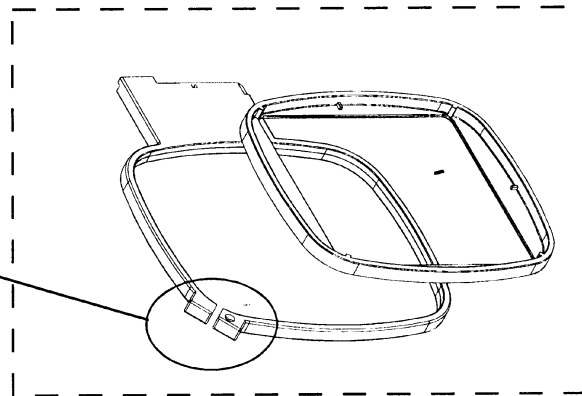
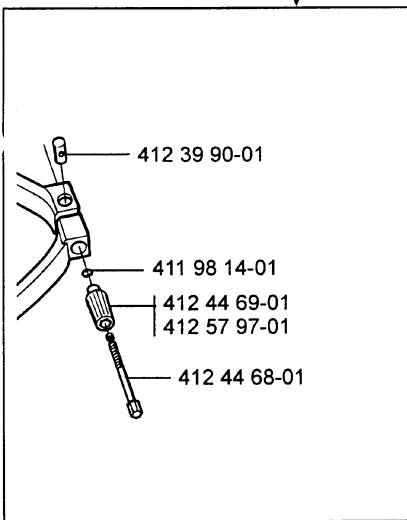




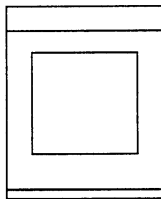
S



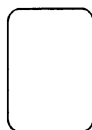
412 52 71-01



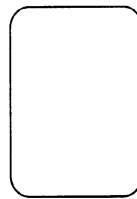
412 52 74-01



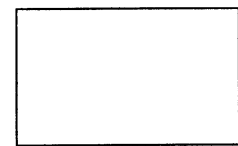
412 53 73-01
 Designer 1
 Embroidery
 # 100 Booklet



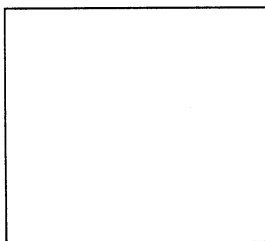
412 53 74-01
 Templet
 100x100



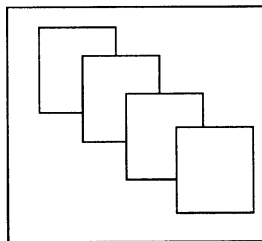
412 53 75-01
 Templet
 150x240



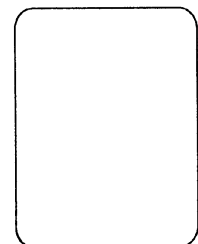
412 56 58-01
 Zipper bag



412 56 54-01
 Accessories
 Siccer, Thread,
 Fabrics , R - foot



412 60 71-01
 Embroidery #100
 Palace script
 Clarendon
 Calligraphy



412 51 78-01
 Embroidery box